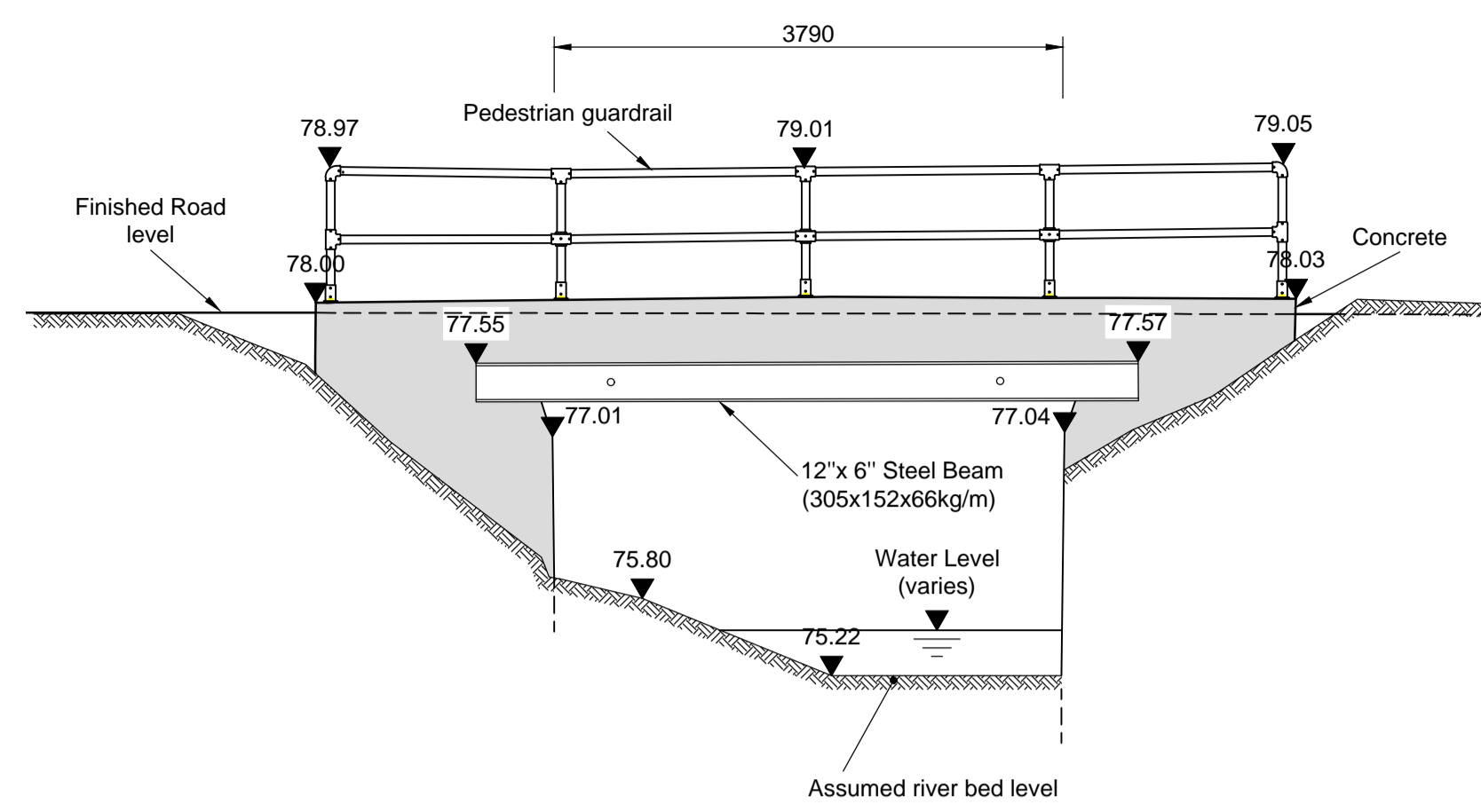
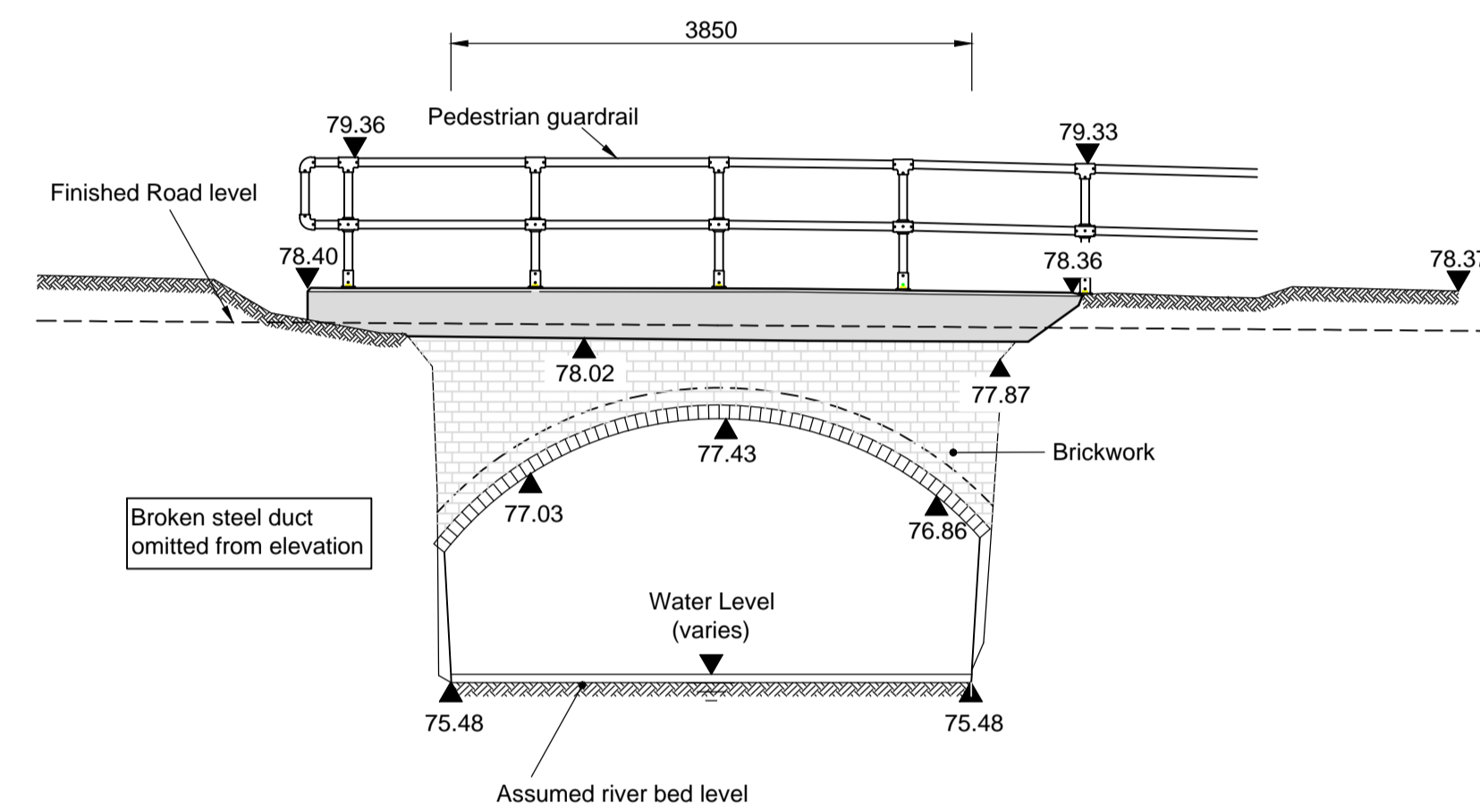


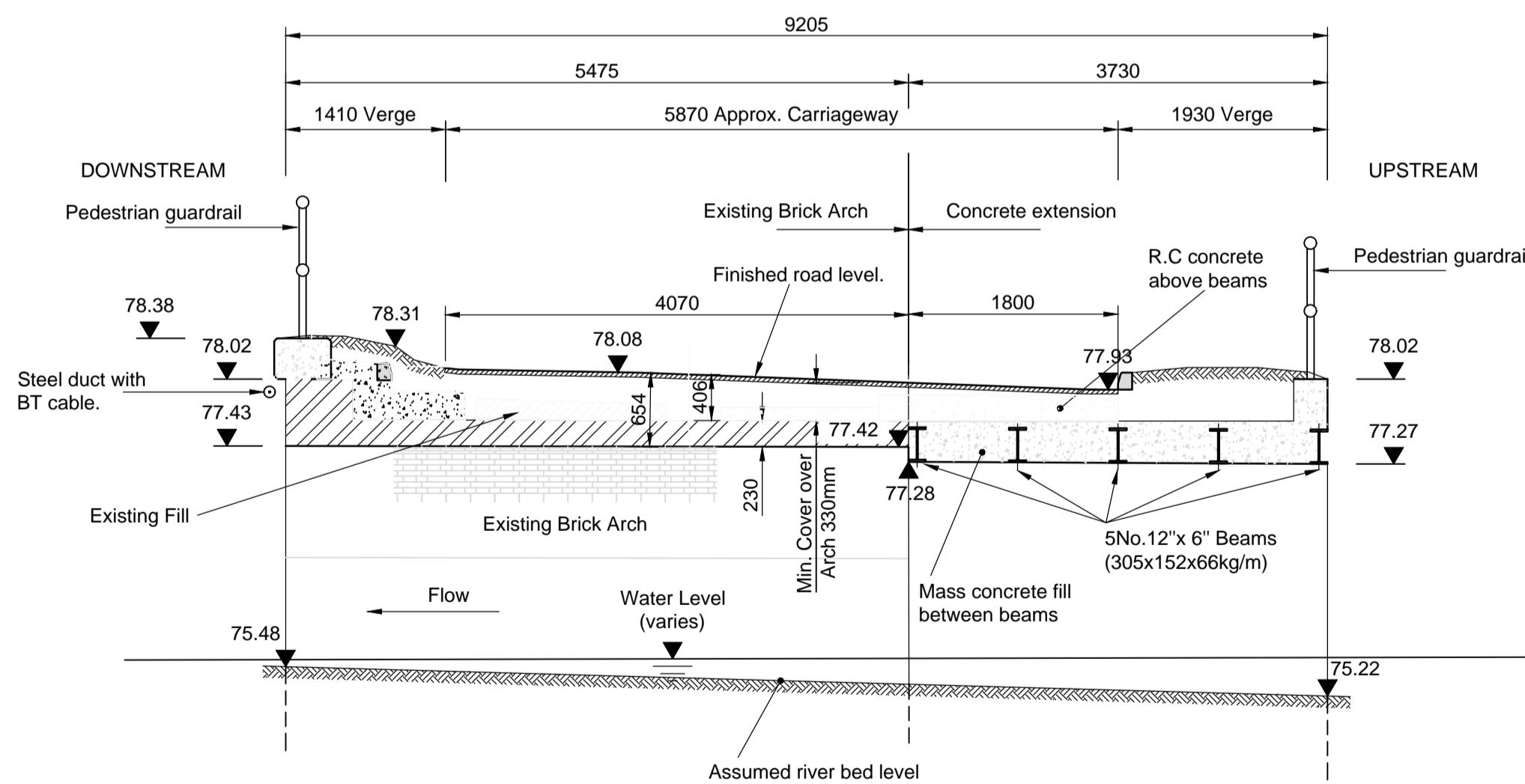
**PLAN**  
Scale 1:100



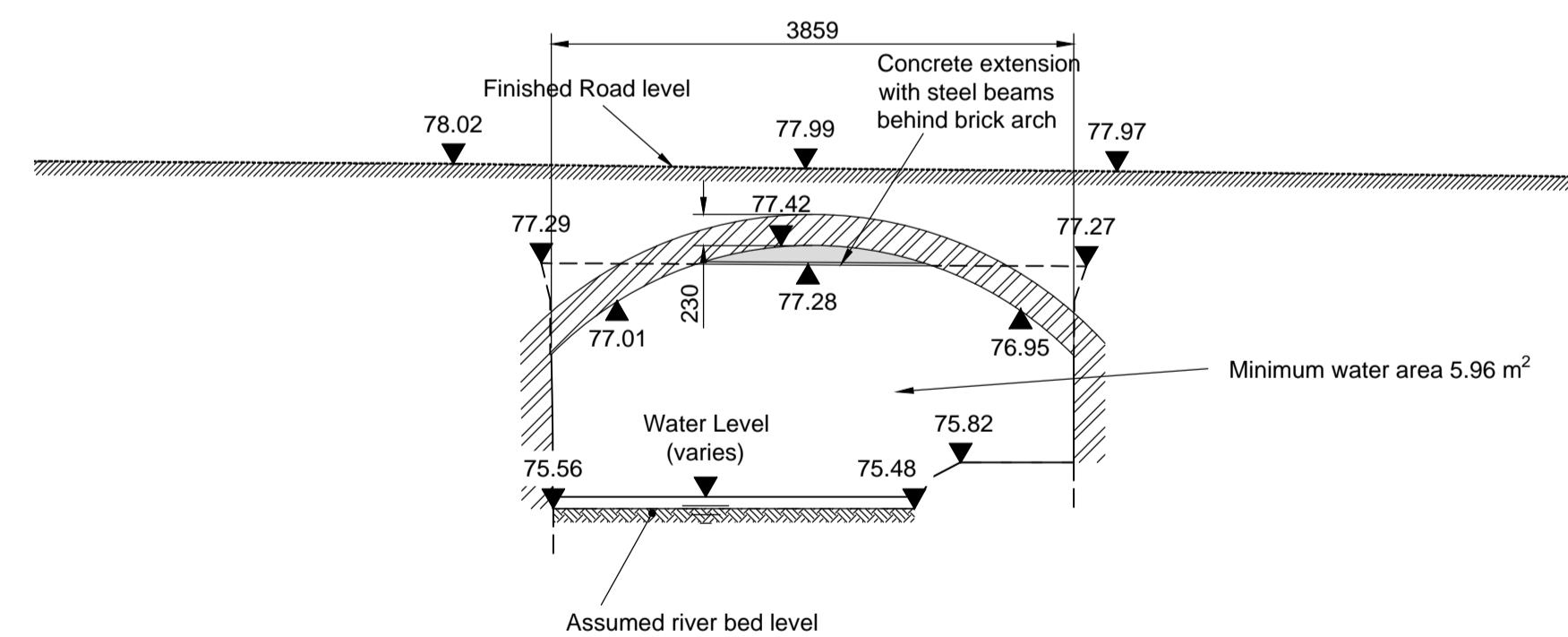
**UPSTREAM ELEVATION**  
Scale 1:50



**DOWNSTREAM ELEVATION**  
Scale 1:50



**SECTION A-A**  
Scale 1:50



**SECTION B-B**  
Scale 1:50

**NOTES**

1. All dimensions are in millimetres unless stated otherwise.
2. All levels are in metres above Ordnance Datum unless stated otherwise.
3. This drawing is to be read in conjunction with all other drawings and the specification.

This drawing is to be Printed in Colour

Rev.	Date	Description of revision	Drawn	Checked	Reviewed	Approved
A						

**FOR INFORMATION**



Essex Highways  
Seax House, 2nd Floor, Victoria Road South,  
Chelmsford, CM1 1QH - Tel: 0345 6037631 © Essex County Council

**ARMITAGE BRIDGE  
ECC BRIDGE No. 0014  
(Thaxted)**

**EXISTING GENERAL  
ARRANGEMENT  
(FORMER BRIDGE)**

DESIGNED	DRAWN	CHECKED	REVIEWED	APPROVED

DRAWING UNITS U.N.O. SCALE AT A1 (841x594mm)  
DIMENSIONS IN MILLIMETRES As Shown  
LEVELS IN METRES

DRAWING No. **BR3063-01-1101** REV. **A**

